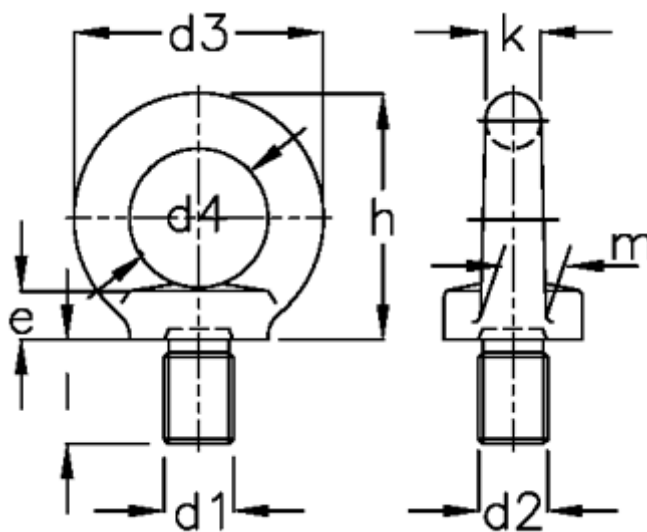


Article number: 20580M10ST
Description: E+G Lifting eye bolts
DIN 580-M10-ST

Measures



$d1 = M10$	$K = 10$
$d2 = 25$	$l = 17.0$
$d3 = 45$	$m = 12$
$d4 = 25$	
$e = 8$	
$F1 = 2300$	
$F2 = 1700$	
$H = 45$	